

HIGH-PERFORMANCE BRUSHLESS MOTORS Ø22



18V

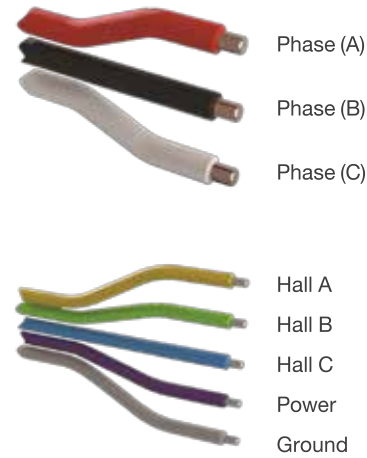
EBL22S1K32A2-12

24V

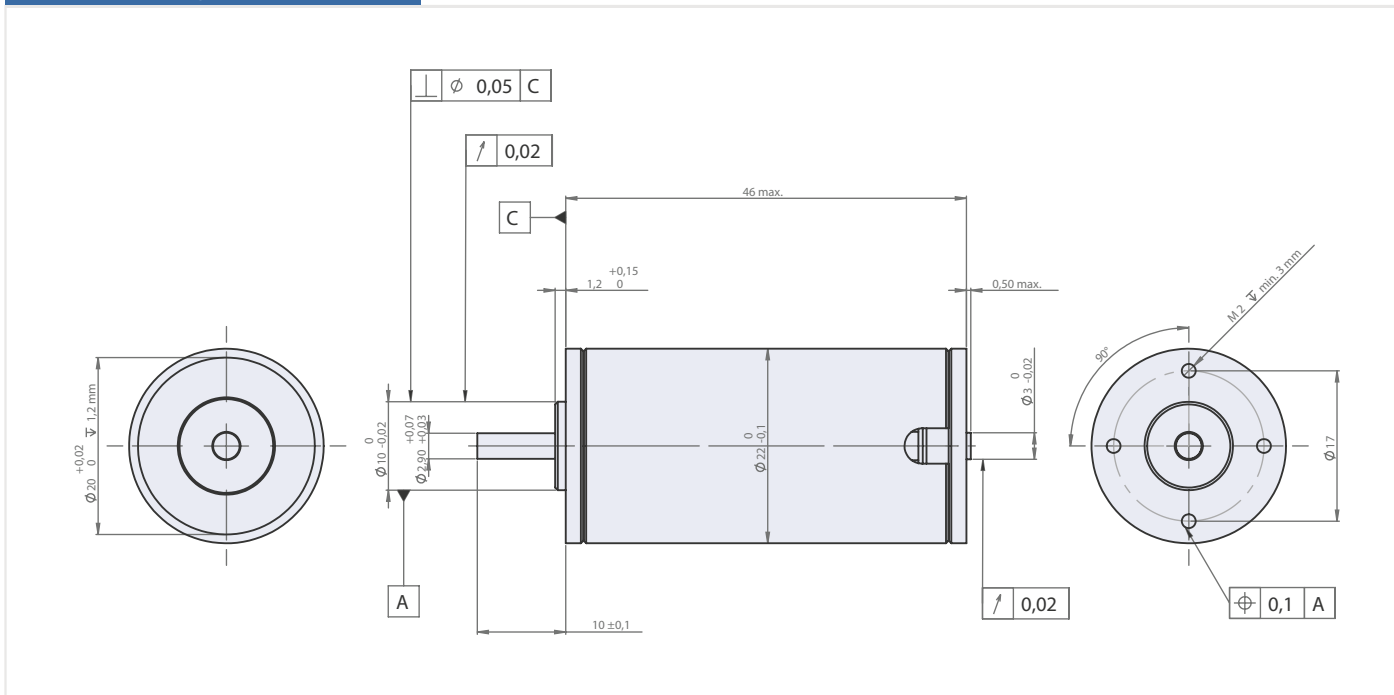
EBL22S1K32A2-24

48V

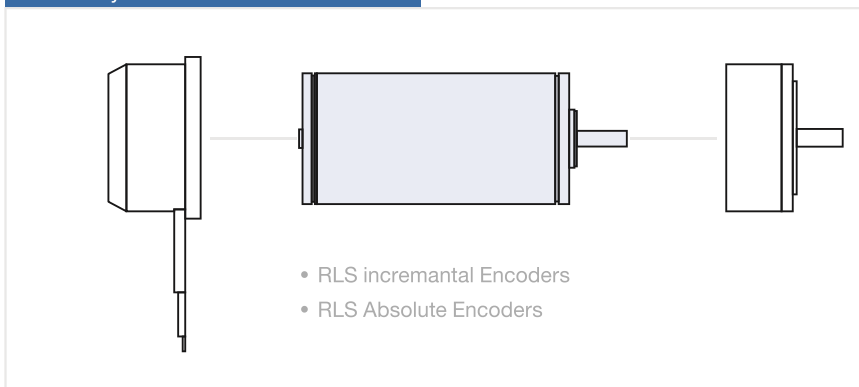
EBL22S0K32A2-48



Dimensional Drawing



Modular System



Product Adaptations

- Other dimensions
- Without housing
- Without hall sensors
- With temperture sensor
- Connector options recording to customer needs

Basic Motor Parameters

		EBL22S1K32A2-12	EBL22S1K32A2-24	EBL22S0K32A2-48
Nominal Speed	RPM	32964	31713	32479
Nominal Power	W	45	45	45
Maximum Continuous Torque	Nm	0.013	0.013	0.013
Nominal Current	A	2.24	1.68	0.84
No-Load Speed	RPM	36599	35243	36250
Efficiency	%	78	78	79
Stall Torque	Nm	0.23	0.24	0.22
Stall Current	A	54	41	19

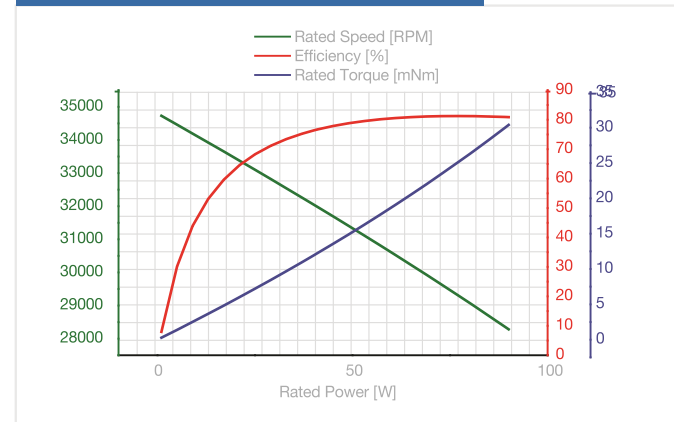
Electrical Characteristics

		EBL22S1K32A2-12	EBL22S1K32A2-24	EBL22S0K32A2-48
Number of Phases		3	3	3
Number of Poles		4	4	4
Operating Temperature	°C	-55 >> +85	-55 >> +85	-55 >> +85
Phase-to-Phase Resistance	mΩ	0.33 ± 10%	0.58 ± 10%	2.54 ± 10%
Phase-to-Phase Inductance	mH	0.064 ± 10%	0.125 ± 10%	0.472 ± 10%
Rated-Torque Constant	mNm/A	4.02 ± 10%	5.62 ± 10%	10.8 ± 10%
Back -EMF Constant	Vs/rad	4.73 ± 10%	6.55 ± 10%	12.7 ± 10%
Dielectric Strength at 1000V	MΩ	500 (min.)	500 (min.)	500 (min.)

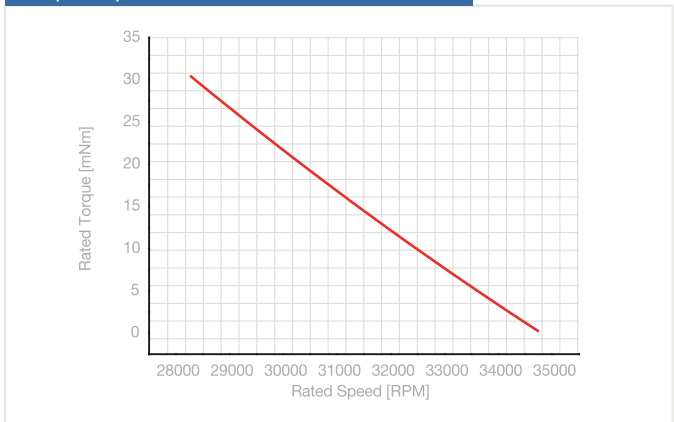
Physical Characteristics

		EBL22S1K32A2-12	EBL22S1K32A2-24	EBL22S0K32A2-48
Service Life	h	16000	16000	16000
Weight	g	95 ± 10%	95 ± 10%	95 ± 10%
Length	mm	45 (max.)	45 (max.)	45 (max.)
Outer Diameter	mm	22 (max.)	22 (max.)	22 (max.)
Shaft Diameter	mm	3	3	3
Bearing		NSK Ball Bearing	NSK Ball Bearing	NSK Ball Bearing

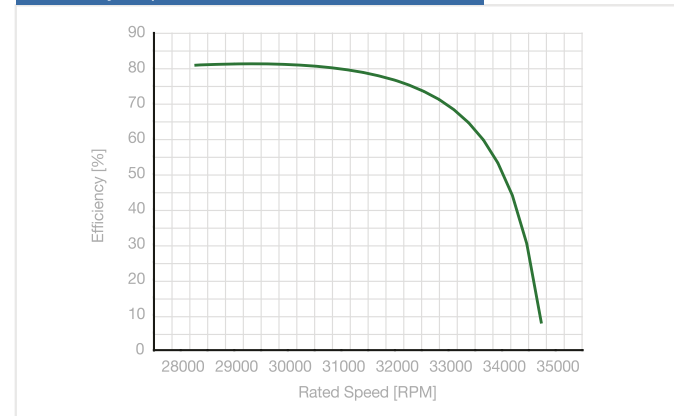
Performance Chart @48V



Torque – Speed Chart @48V



Efficiency – Speed Chart @48V



Power – Speed Chart @48V

