

HIGH-PERFORMANCE BRUSHLESS MOTORS Ø22



18V

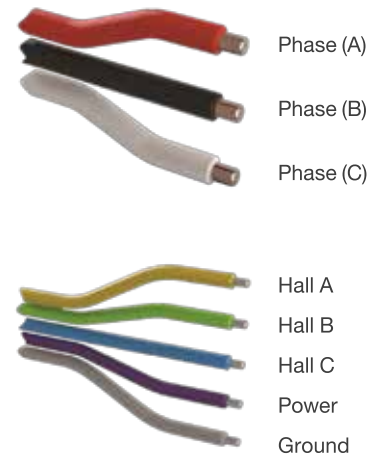
EBL22S1K8A2-12

24V

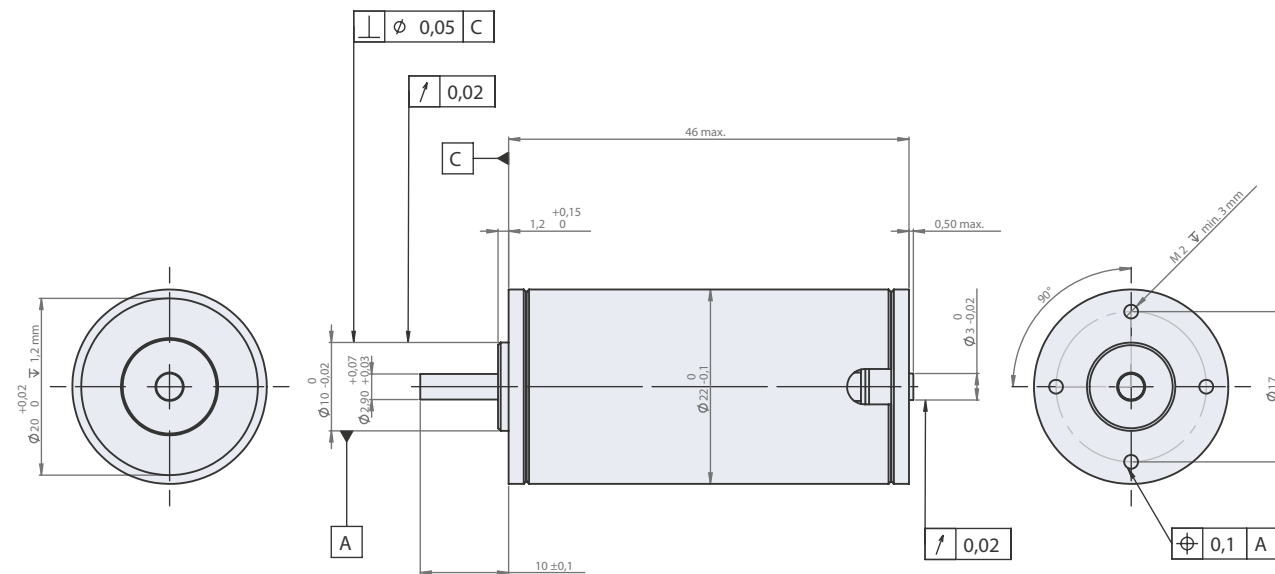
EBL22S1K8A2-24

48V

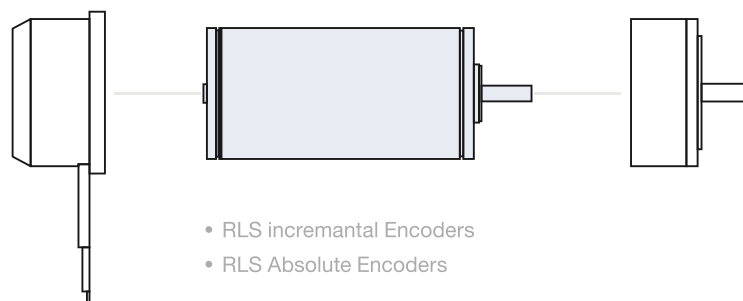
EBL22S0K8A2-48



Dimensional Drawing



Modular System



Product Adaptations

- Other dimensions
- Without housing
- Without hall sensors
- With temperture sensor
- Connector options recording to customer needs

Basic Motor Parameters

		EBL22S1K8A2-12	EBL22S1K8A2-24	EBL22S0K8A2-48
Nominal Speed	RPM	8231	8790	8137
Nominal Power	W	25	25	25
Maximum Continuous Torque	Nm	0.030	0.027	0.029
Nominal Current	A	1.34	1	0.5
No-Load Speed	RPM	9840	10490	9690
Efficiency	%	78	78	79
Stall Torque	Nm	0.23	0.22	0.24
Stall Current	A	13.5	10	5.2

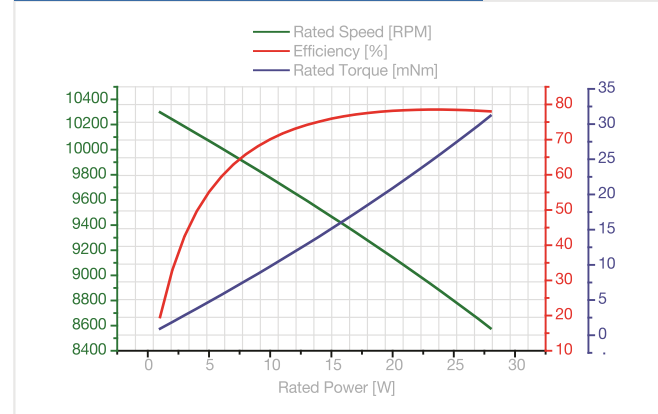
Electrical Characteristics

		EBL22S1K8A2-12	EBL22S1K8A2-24	EBL22S0K8A2-48
Number of Phases		3	3	3
Number of Poles		4	4	4
Operating Temperature	°C	-55 >> +85	-55 >> +85	-55 >> +85
Phase-to-Phase Resistance	mΩ	0.66 ± 10%	1.18 ± 10%	4.56 ± 10%
Phase-to-Phase Inductance	mH	0.19 ± 10%	0.30 ± 10%	1.4 ± 10%
Rated-Torque Constant	mNm/A	16.5 ± 10%	20.4 ± 10%	44.8 ± 10%
Back -EMF Constant	Vs/rad	17.6 ± 10%	22.1 ± 10%	47.7 ± 10%
Dielectric Strength at 1000V	MΩ	500 (min.)	500 (min.)	500 (min.)

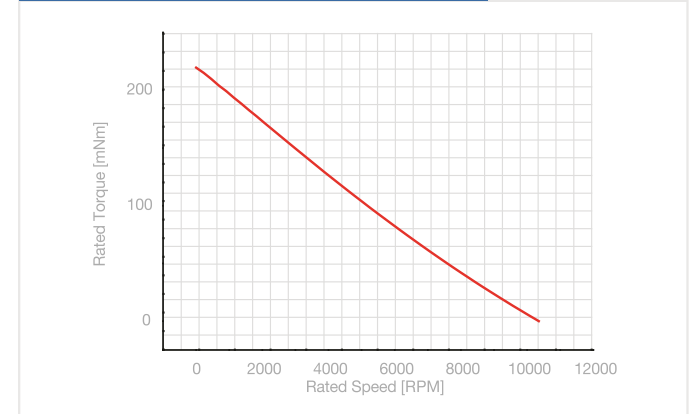
Physical Characteristics

		EBL22S1K8A2-12	EBL22S1K8A2-24	EBL22S0K8A2-48
Service Life	h	18000	18000	17000
Weight	g	100 ± 10%	100 ± 10%	100 ± 10%
Length	mm	43 (max.)	43 (max.)	43 (max.)
Outer Diameter	mm	22 (max.)	22 (max.)	22 (max.)
Shaft Diameter	mm	3	3	3
Bearing		NSK Ball Bearing	NSK Ball Bearing	NSK Ball Bearing

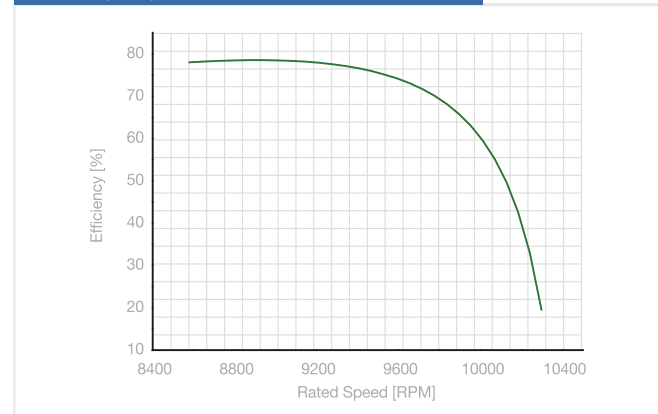
Performance Chart @48V



Torque – Speed Chart @48V



Efficiency – Speed Chart @48V



Power – Speed Chart @48V

