

BRUSHLESS ELECTRIC VEHICLE MOTORS 0275-57



48V

EHUB275K9A1-48

72V

EHUB275K9A1-72

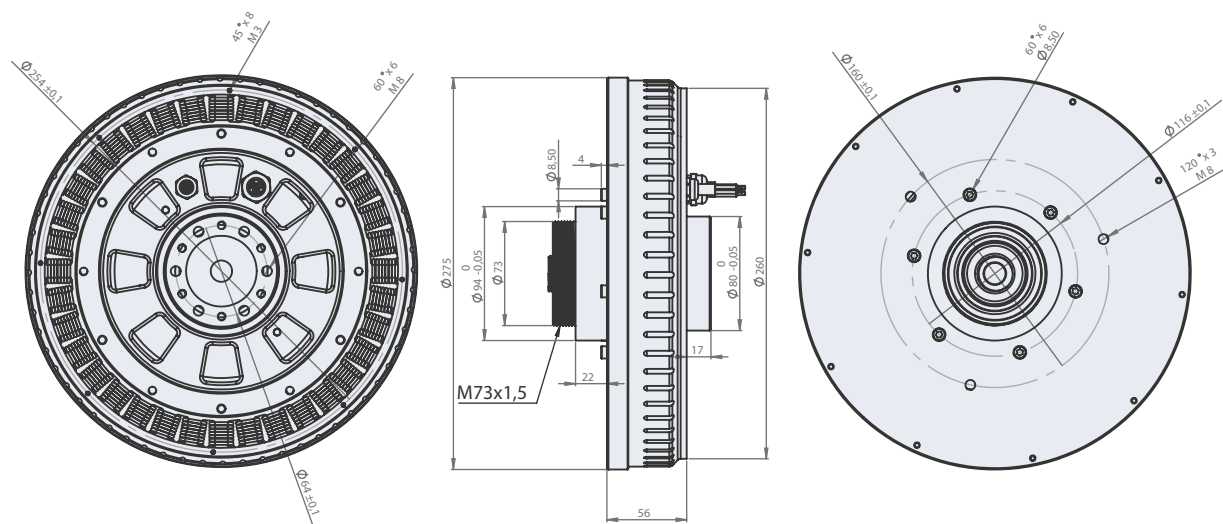
96V

EHUB275K9A1-96



Phase (A)
Phase (B)
Phase (C)
Hall A
Hall B
Hall C
Power
Ground

Dimensional Drawing



Modular System

Product Adaptations

- Other dimensions
- Without housing
- Without hall sensors
- With temperture sensor
- Connector options recording to customer needs

Basic Motor Parameters

		EHUB275K9A1-48	EHUB275K9A1-72	EHUB275K9A1-96
Nominal Speed	RPM	922	857	826
Nominal Power	W	1200	1200	1200
Maximum Continuous Torque	Nm	12.41	13.37	13.86
Nominal Current	A	22.87	15.39	11.60
No-Load Speed	RPM	1045	980	950
Efficiency	%	90	90	90
Stall Torque	Nm	393	382	371
Stall Current	A	1258	741	508

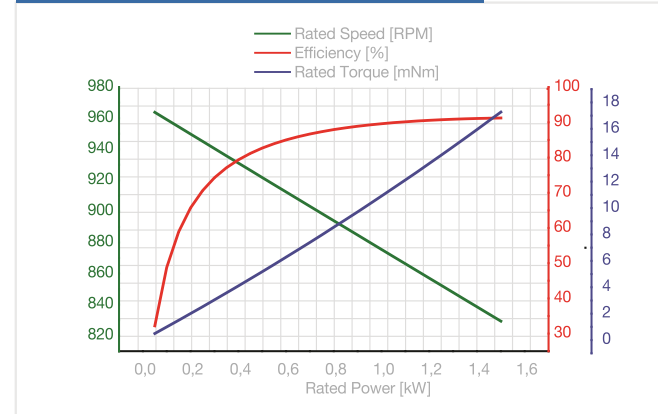
Electrical Characteristics

Number of Phases		3	3	3
Number of Poles		32	32	32
Operating Temperature	°C	-55 >> +85	-55 >> +85	-55 >> +85
Phase-to-Phase Resistance	mΩ	38.08 ± 10%	96.92 ± 10%	188.3 ± 10%
Phase-to-Phase Inductance	mH	0.16 ± 10%	0.41 ± 10%	0.78 ± 10%
Rated-Torque Constant	mNm/A	0.44 ± 10%	0.72 ± 10%	1.08 ± 10%
Back -EMF Constant	Vs/rad	0.44 ± 10%	0.70 ± 10%	0.97 ± 10%
Dielectric Strength at 1000V	MΩ	500 (min.)	500 (min.)	500 (min.)

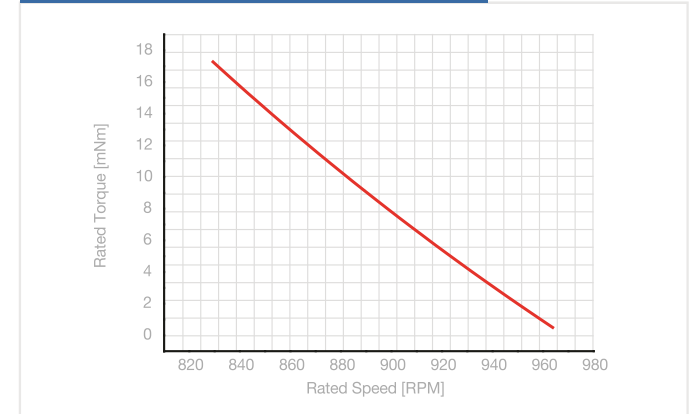
Physical Characteristics

Service Life	h	20000	20000	20000
Weight	g	10 ± 10%	10 ± 10%	10 ± 10%
Length	mm	57 (max.)	57 (max.)	57 (max.)
Outer Diameter	mm	275 (max.)	275 (max.)	275 (max.)
Shaft Diameter	mm	Hub	Hub	Hub
Bearing		NSK Ball Bearing	NSK Ball Bearing	NSK Ball Bearing

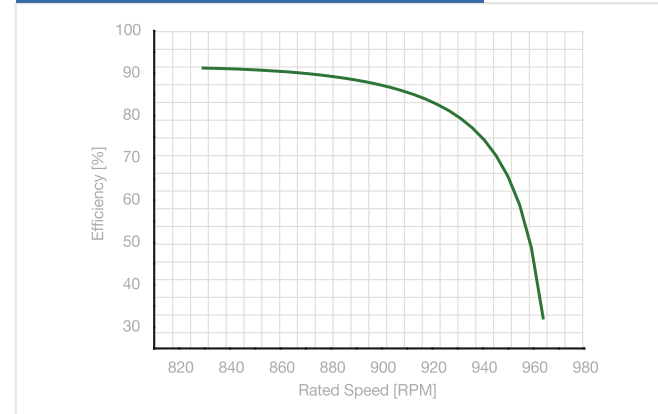
Performance Chart @48V



Torque – Speed Chart @48V



Efficiency – Speed Chart @48V



Power – Speed Chart @48V

