

# BRUSHLESS ELECTRIC VEHICLE MOTORS 0275-57



**48V**

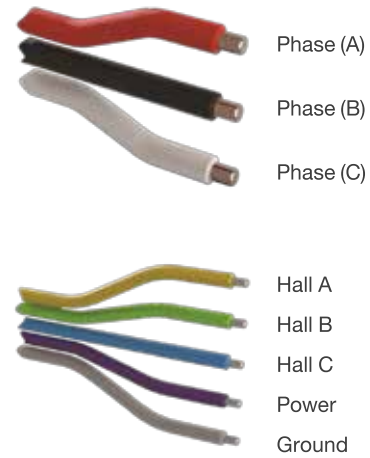
EHUB275K7A1-48

**72V**

EHUB275K7A1-72

**96V**

EHUB275K7A1-96

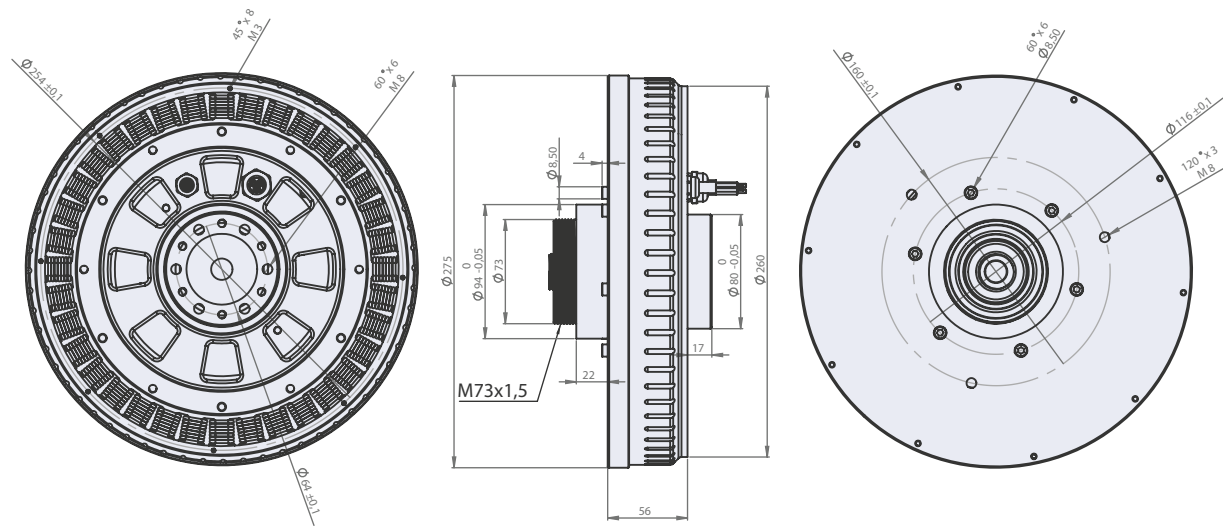


Basic Motor Parameters		EHUB275K7A1-48	EHUB275K7A1-72	EHUB275K7A1-96
Nominal Speed	RPM	774	732	711
Nominal Power	W	1000	1000	1000
Maximum Continuous Torque	Nm	12.32	13.04	13.42
Nominal Current	A	19.62	13.20	9.97
No-Load Speed	RPM	903	862	843
Efficiency	%	90	90	90
Stall Torque	Nm	279	270	260
Stall Current	A	692	415	287

Electrical Characteristics		EHUB275K7A1-48	EHUB275K7A1-72	EHUB275K7A1-96
Number of Phases		3	3	3
Number of Poles		32	32	32
Operating Temperature	°C	-55 >> +85	-55 >> +85	-55 >> +85
Phase-to-Phase Resistance	mΩ	69.20 ± 10%	172.82 ± 10%	333.8 ± 10%
Phase-to-Phase Inductance	mH	0.26 ± 10%	0.66 ± 10%	1.23 ± 10%
Rated-Torque Constant	mNm/A	0.53 ± 10%	0.84 ± 10%	1.16 ± 10%
Back -EMF Constant	Vs/rad	0.51 ± 10%	0.80 ± 10%	1.09 ± 10%
Dielectric Strength at 1000V	MΩ	500 (min.)	500 (min.)	500 (min.)

Physical Characteristics		EHUB275K7A1-48	EHUB275K7A1-72	EHUB275K7A1-96
Service Life	h	20000	20000	20000
Weight	g	9.5 ± 10%	9.5 ± 10%	9.5 ± 10%
Length	mm	57 (max.)	57 (max.)	57 (max.)
Outer Diameter	mm	275 (max.)	275 (max.)	275 (max.)
Shaft Diameter	mm	Hub	Hub	Hub
Bearing		NSK Ball Bearing	NSK Ball Bearing	NSK Ball Bearing

## Dimensional Drawing

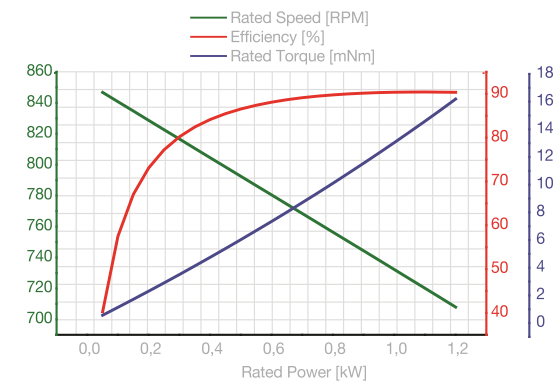


## Modular System

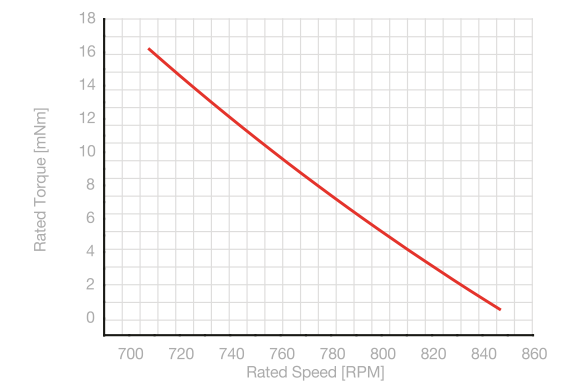
## Product Adaptations

- Other dimensions
- Without housing
- Without hall sensors
- With temperture sensor
- Connector options recording to customer needs

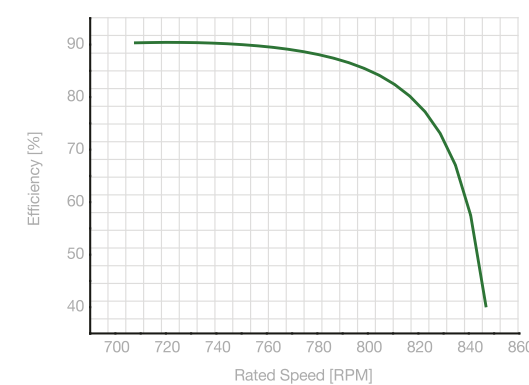
## Performance Chart @48V



## Torque – Speed Chart @48V



## Efficiency – Speed Chart @48V



## Power – Speed Chart @48V

